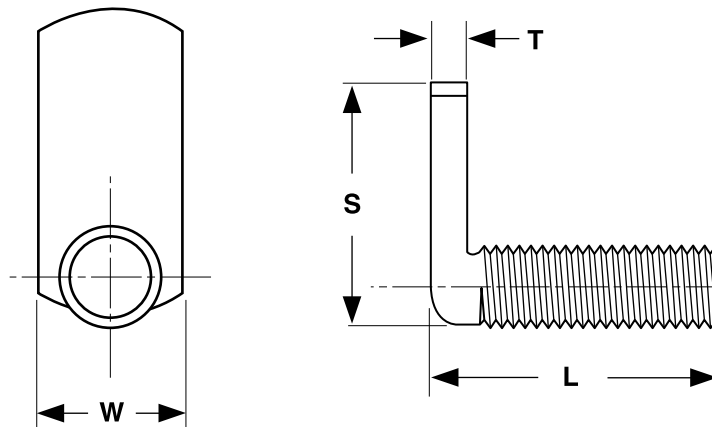


# Weld Screws

# Flat 90° Spade

No Projections



SPOT WELD SCREWS, FLAT 90° SPADE					Paulin®
Thread Size	W	T		S	
	Spade Width	Spade Thickness		Spade Length	
	Ref	Max	Min	Ref	
6-32	.218	.052	.042	.562	
8-32	.250	.068	.058	.625	
10-24	.312	.068	.058	.688	
10-32	.343	.068	.058	.688	
1/4-20	.375	.099	.089	.750	
Tolerance on Length		Under 1": + .000, -.031		1" to 2": + .000, - .060	

<b>Description</b>	An externally threaded fastener with a Unified thread. The spade-shaped head is at a 90° angle to one side of the threaded shank
<b>Applications / Advantages</b>	This item allows the welder to use various electrode tips, reducing the amount of equipment changes. Ideal for use in confined areas such as corners with limited clearance, or in applications requiring the threaded area be offset from the welding area.
<b>Material</b>	1006 - 101 low carbon steel
<b>Tensile Strength</b>	60,000 psi. minimum
<b>Finish</b>	Weld screws are supplied with a plain, unplated finish to facilitate welding.