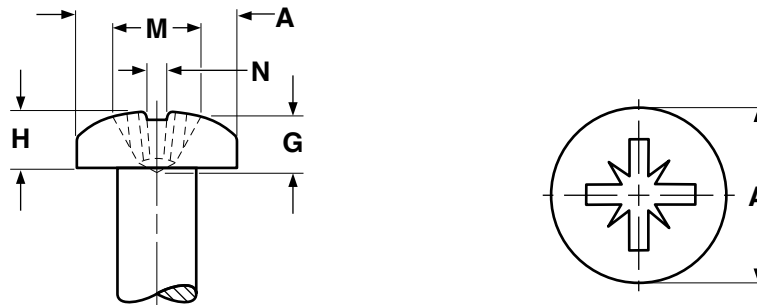


POZIDRIV® (TYPE 1A) FLAT HEADS FOR MACHINE SCREWS

ASME
B18.6.3-2002

Nominal Size	A		H		M	R	N	Recess Penetration Gaging Depth		F		G	Driver Size
	Head Dimensions				Recess Dimensions					Protrusion Above Gaging Diameter			
	Diameter		Height		Diam.	Depth	Width	Max	Min	Max	Min		
	Max	Min	Max	Min	Ref	Ref	Ref						
2	.162	.144	.051	.040	.096	.055	.029	.053	.037	.029	.017	.124	1
4	.212	.191	.067	.055	.122	.081	.030	.079	.063	.032	.019	.172	1
6	.262	.238	.083	.069	.168	.098	.041	.091	.073	.036	.021	.220	2
8	.312	.285	.100	.084	.182	.112	.041	.107	.089	.039	.023	.267	2
10	.362	.333	.116	.098	.198	.127	.041	.122	.104	.042	.025	.313	2
12	.412	.380	.132	.112	.262	.149	.056	.136	.118	.045	.027	.362	3
1/4	.477	.442	.153	.131	.276	.164	.057	.151	.133	.050	.029	.424	3
5/16	.597	.556	.191	.165	.358	.211	.086	.193	.175	.057	.034	.539	4
3/8	.717	.670	.230	.200	.386	.239	.086	.222	.204	.065	.039	.653	4



POZIDRIV® (TYPE 1A) PAN HEADS FOR MACHINE SCREWS

ASME B18.6.3-2002

Nominal Size	A		H		M		G		N	Recess Penetration Gaging Depth		Driver Size
	Head Diameter		Height of Head		Dimensions of Recess							
					Diameter		Depth		Width			
	Max	Min	Max	Min	Max	Min	Max	Min	Min	Max	Min	
2	.167	.155	.062	.053	.104	.091	.064	.048	.028	.053	.037	1
4	.219	.205	.080	.070	.122	.109	.083	.067	.029	.072	.056	1
6	.270	.256	.097	.087	.162	.149	.092	.074	.040	.076	.058	2
8	.322	.306	.115	.105	.177	.164	.108	.090	.041	.092	.074	2
10	.373	.357	.133	.122	.193	.180	.124	.106	.041	.108	.090	2
12	.425	.407	.151	.139	.254	.241	.139	.121	.056	.117	.099	3
1/4	.492	.473	.175	.162	.273	.260	.159	.141	.057	.137	.119	3

Pozidriv® is a registered trademark of the Phillips Screw Company. Kanebridge Type-1A drive fasteners are not manufactured by or connected with the producer so Pozidriv® screws.